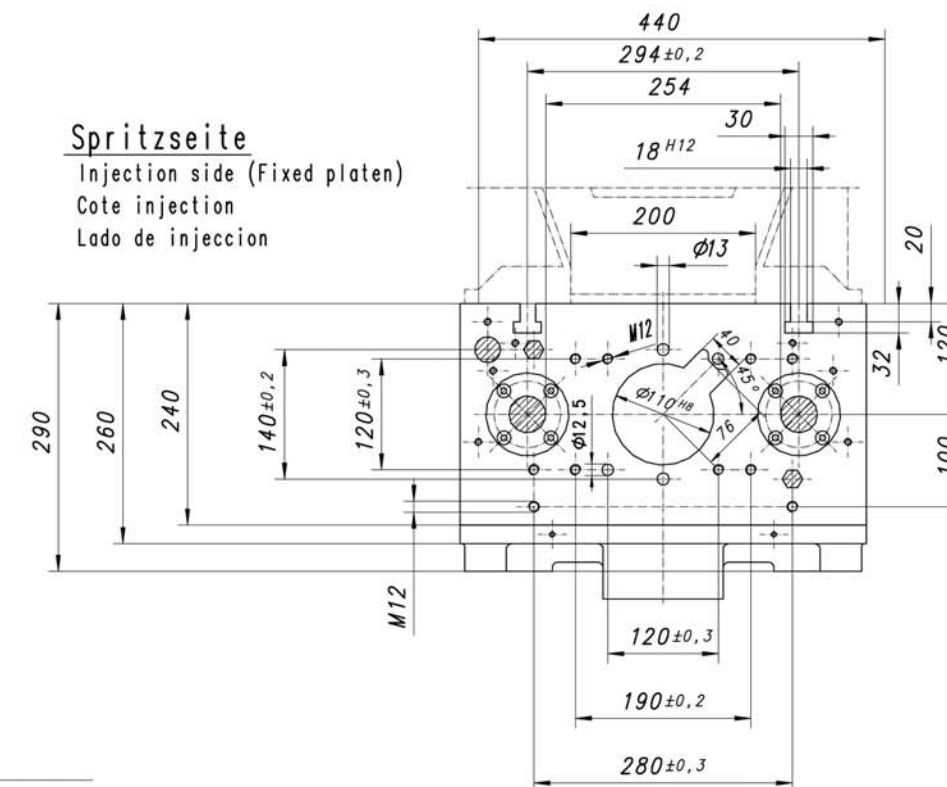
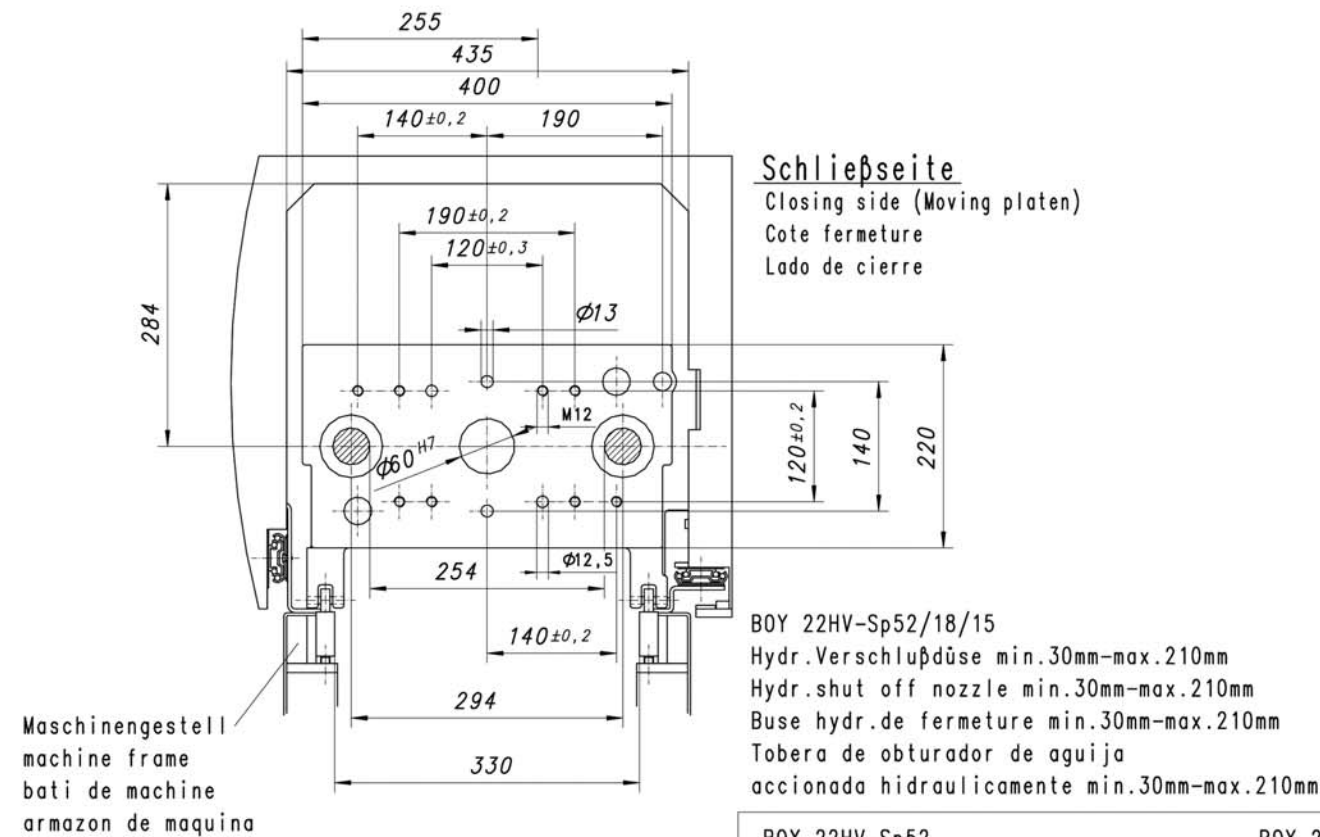


BOY 22 A

Einbaumaße / Platen Dimensions / Montage de moules / Montaje del molde



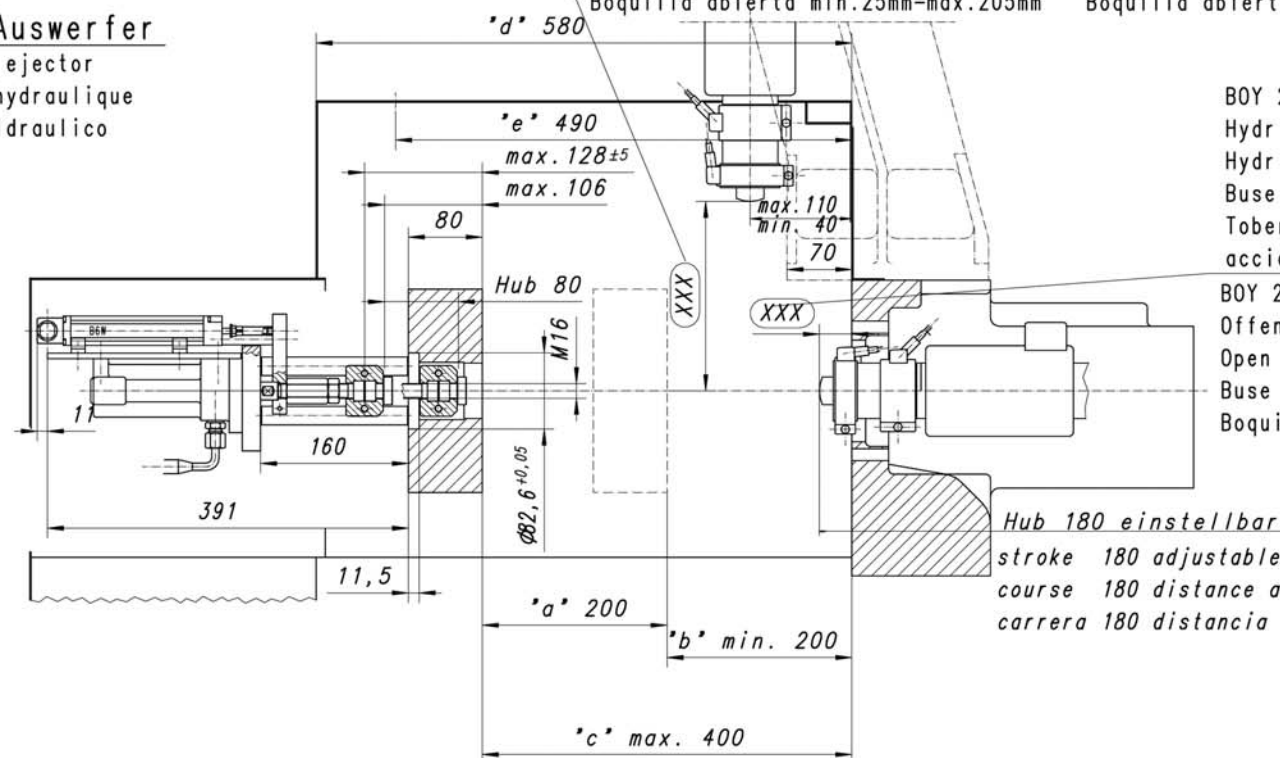
Spritzgiessautomaten



BOY 22HV-Sp52/18/15
 Hydr.Verschlußdüse min.30mm-max.210mm
 Hydr.shut off nozzle min.30mm-max.210mm
 Buse hydr.de fermeture min.30mm-max.210mm
 Tobera de obturador de aguja accionada hidraulicamente min.30mm-max.210mm

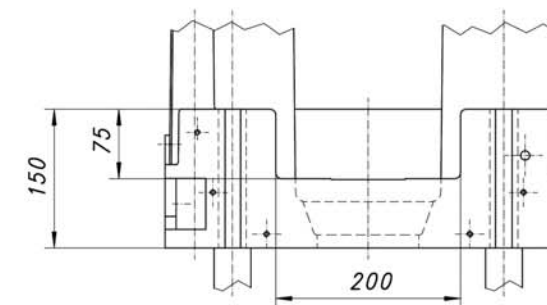
BOY 22HV-Sp52	BOY 22HV-Sp18/15:
Offene Düse min.25mm-max.205mm	Offene Düse min.45mm-max.225mm
Open nozzle min.25mm-max.205mm	Open nozzle min.45mm-max.225mm
Buse ouverte min.25mm-max.205mm	Buse ouverte min.45mm-max.225mm
Boquilla abierta min.25mm-max.205mm	Boquilla abierta min.45mm-max.225mm

Hydr. Auswerfer
 Hydraulic ejector
 Ejecteur hydraulique
 Ejector hidraulico



BOY 22-SP52/18/15
 Hydr.Verschlußdüse max.30mm
 Hydr.shut off nozzle max.30mm
 Buse hydr.de fermeture max.30mm
 Tobera de obturador de aguja accionada hidraulicamente max.30mm

BOY 22-Sp52:	BOY 22-Sp18/15:
Offene Düse max.35mm	Offene Düse max.15mm
Open nozzle max.35mm	Open nozzle max.15mm
Buse ouverte max.35mm	Buse ouverte max.15mm
Boquilla abierta max.35mm	Boquilla abierta max.15mm



Dr. Boy GmbH & Co. KG
 Industriegebiet Neustadt/Wied
 Neschener Str. 6
 53577 Neustadt/Wied
 Germany

Telefon +49 / 2683 / 307-0
 Telefax +49 / 2683 / 32771
 Internet www.dr-boy.de